

BD-SL-100W-XXX-L



LED

TECHNOLOGY

50,000 Hours Life, 100Watt, 100-277VAC 50/60Hz

CONSTRUCTION - This fixture is designed with a die-cast aluminum shell housing that is rust and corrosion-proof. The housing is powder-coated with a polyester finish. This fixture is tightly sealed, dirt and bug-proof, using a high-quality diffused shatterproof polycarbonate lens cover with a custom-formed silicon gasket. The fixture uses light weight, heat dissipating aluminum-diffuser fins. It is ingress-protection rated (IP65) and designed to be used in damp and wet locations.

OPTICS AND LEDS - Our high-brightness Philips or Similar chips minimize pixilation and provide uniform lens brightness. The high quality polycarbonate lens offers glare-free light transmittance. The bulb's CRI rating is greater than 70. Energy-efficient, high-luminous flux reaches 128+ LMs per watt. Wide-beam angle of 150 x 85° insures maximum light spread coverage.

ELECTRICAL - The standard-operating voltage of these fixtures is 100-277 VAC. The average operating life of these fixtures is 50,000+ hours when used under environmental temperatures of -20° C to 45° C.

MOUNTING - Half-inch (1/2") knock outs are available on the sides of the fixture for mounting to junction connection box. One installation kit with screws are included in the packaging.

COLOR AND FINISH - The standard color is Black, Brown.



IP65

**5 year
WARRANTY**

BONLD LED BD-SL-100W-XXX-L

MODELS: BD-SL-100W-30-L, BD-SL-100W-40-L, BD-SL-100W-50-L, BD-SL-100W-57-L

			SIZE & WEIGHT
STRUCTURE	Housing Material Housing Color Lens Material Lens Color Heatsink LED Chip Type Beam Angle Mounting	Aluminium Black, Brown Polycarbonate Clear Aluminium Philips or Similar (128pcs SMD3030) Type III:150 X 85°/Type IV: 130 X 85°/Type V:90° Adjustable slip Fit/Pole Mount/Yoke Mount	WIDTH 9.1" (23.12 cm) LENGTH 11.43"(29.04cm) DEPTH 2.87"(7.3cm) WEIGHT 11.22 lbs
ELECTRICAL	Watts Voltage Dimmable CRI Power Factor Working Temperaturer	100W 100- 277VAC 0-10V Dimmable 80 >0.9 -20° C to 45° C	
PERFORMANCE	Lumens Lumen per Watt CCT Average Rated Hours Replaces Application	13000lm 130lm/W 3000K,4000K,5000K,5700K 50000 300W MH FIXTURE OUTDOOR PARKING LOT, BASKETBALL COURTS, TENNIS COURTS,COMMUNITY LEI SURE AREAS, ENTERTAINMENT PLAZAS,STREET LIGHTI NG, ETC.	

Accessories:

Photocell Options:



Photocell



ShortingCap

Mounting Adaptor Options:



Type A: Slip Fitter



Type B: Square or Round Pole Mount

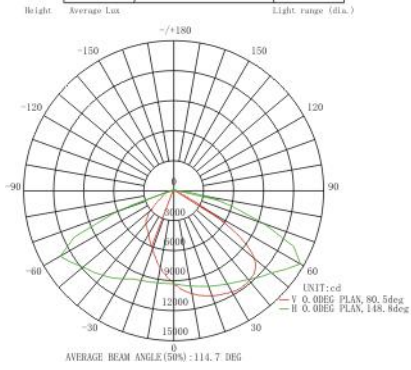


Type C: Yoke

Lux Chart/Photometrics:

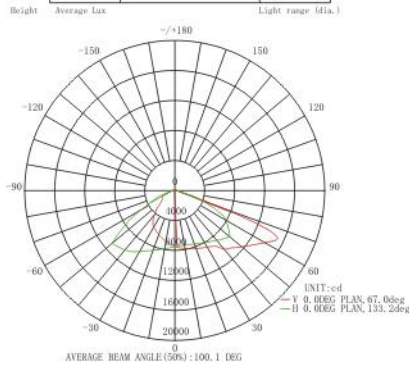
Type III

1M	4146 lx	206.4cm
2M	1541 lx	338.6cm
3M	684.7 lx	507.9cm
4M	385.1 lx	677.2cm
5M	246.5 lx	846.5cm



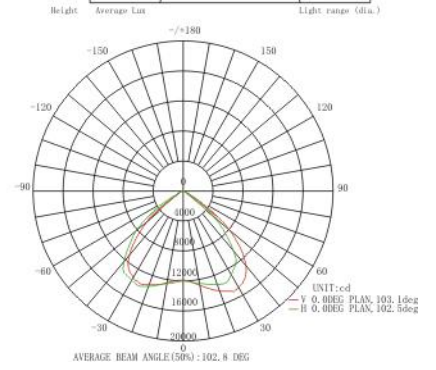
Type IV

1M	3957 lx	161.5cm
2M	1471 lx	264.9cm
3M	653.6 lx	397.3cm
4M	367.7 lx	529.7cm
5M	235.3 lx	662.2cm

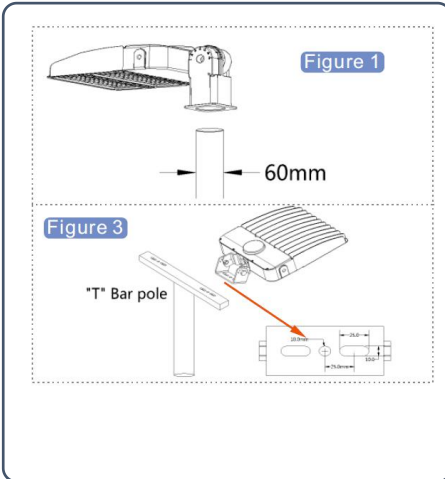


Type V

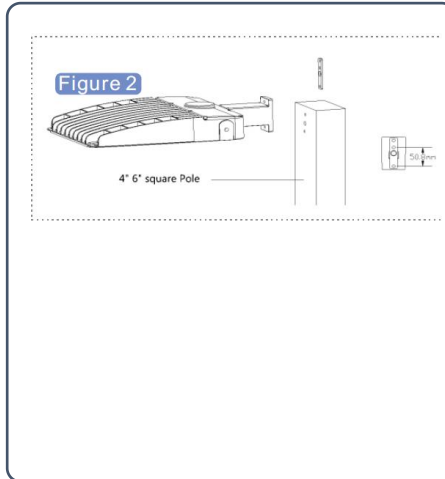
1M	4133 lx	303.6cm
2M	1536 lx	498.04cm
3M	682.6 lx	747.06cm
4M	383.9 lx	996.09cm
5M	245.7 lx	1245.11cm



Installation Options-1/3:



Installation Options-2:



Packaging:

