

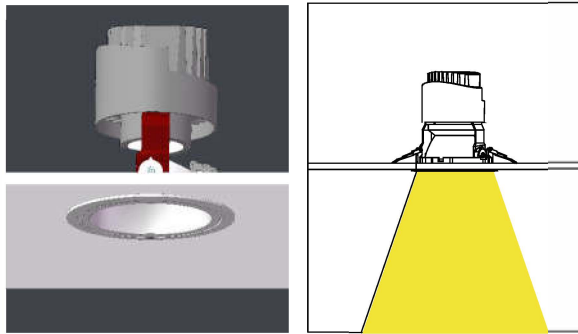
Professional optical processor

JUBITZ CENTER
MODERN & CONTEMPORARY ART

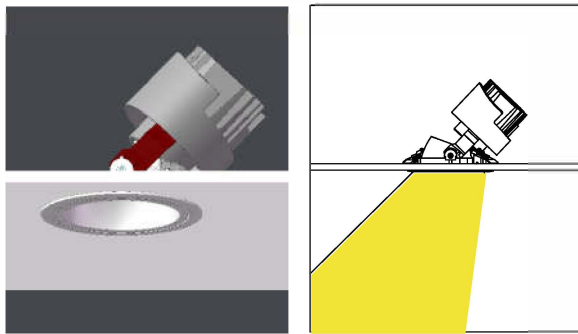


LED Down Light

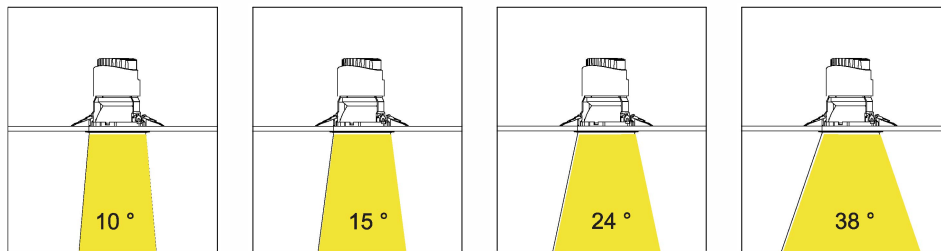
Direct type lighting



Partial Illumination



Optional angle



PRODUCT INTRODUCTION

Exquisite appearance, good heat dissipation, imported LED light source, professional-grade optical design, optional angle 10° 15° 24° 38° external constant current isolation power supply, replace the traditional ceiling light. Applicable to indoor museum art museum commercial and home focus lighting, embedded installation.

Compatible with DALI DMX512 0-10V PWM dimming



Model No.	Dimension	Cut-out	Total Power	Voltage	CRI	Color Temp.	Luminous Flux	Luminous Efficiency
DL025M07W	Φ90*H117mm	Φ80mm	7W	AC110V AC220~240V	97	3000K	490lm	70lm / W
						4000K	560lm	80lm / W
						5000K	574lm	82lm / W
DL025M10W	Φ90*H117mm	Φ80mm	10W	AC110V AC220~240V	97	3000K	700lm	70lm / W
						4000K	800lm	80lm / W
						5000K	820lm	82lm / W
DL030M15W	Φ110*H138mm	Φ100mm	15W	AC110V AC220~240V	97	3000K	1050lm	70lm / W
						4000K	1200lm	80lm / W
						5000K	1230lm	82lm / W
DL040M20W	Φ138*H155mm	Φ125mm	20W	AC110V AC220~240V	97	3000K	1400lm	70lm / W
						4000K	1600lm	80lm / W
						5000K	1640lm	82lm / W
DL050M30W	Φ160*H195mm	Φ145mm	30W	AC110V AC220~240V	97	3000K	2100lm	70lm / W
						4000K	2400lm	80lm / W
						5000K	2460lm	82lm / W
DL060M30W	Φ180*H195mm	Φ165mm	30W	AC110V AC220~240V	97	3000K	2100lm	70lm / W
						4000K	2400lm	80lm / W
						5000K	2460lm	82lm / W
DL025M07W	Φ90*H117mm	Φ80mm	7W	AC110V AC220~240V	80	3000K	532lm	76lm / W
						4000K	595lm	85lm / W
						5000K	609lm	87lm / W
DL025M10W	Φ90*H117mm	Φ80mm	10W	AC110V AC220~240V	80	3000K	760lm	76lm / W
						4000K	850lm	85lm / W
						5000K	870lm	87lm / W
DL030M15W	Φ110*H138mm	Φ100mm	15W	AC110V AC220~240V	80	3000K	1140lm	76lm / W
						4000K	1275lm	85lm / W
						5000K	1305lm	87lm / W
DL040M20W	Φ138*H155mm	Φ125mm	20W	AC110V AC220~240V	80	3000K	1520lm	76lm / W
						4000K	1700lm	85lm / W
						5000K	1740lm	87lm / W
DL050M30W	Φ160*H195mm	Φ145mm	30W	AC110V AC220~240V	80	3000K	2280lm	76lm / W
						4000K	2550lm	85lm / W
						5000K	2610lm	87lm / W
DL060M30W	Φ180*H195mm	Φ165mm	30W	AC110V AC220~240V	80	3000K	2280lm	76lm / W
						4000K	2550lm	85lm / W
						5000K	2610lm	87lm / W