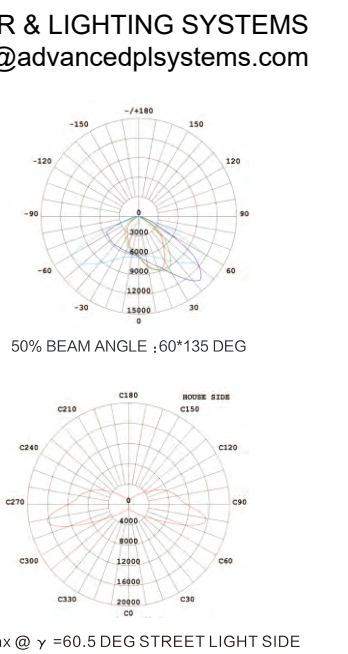
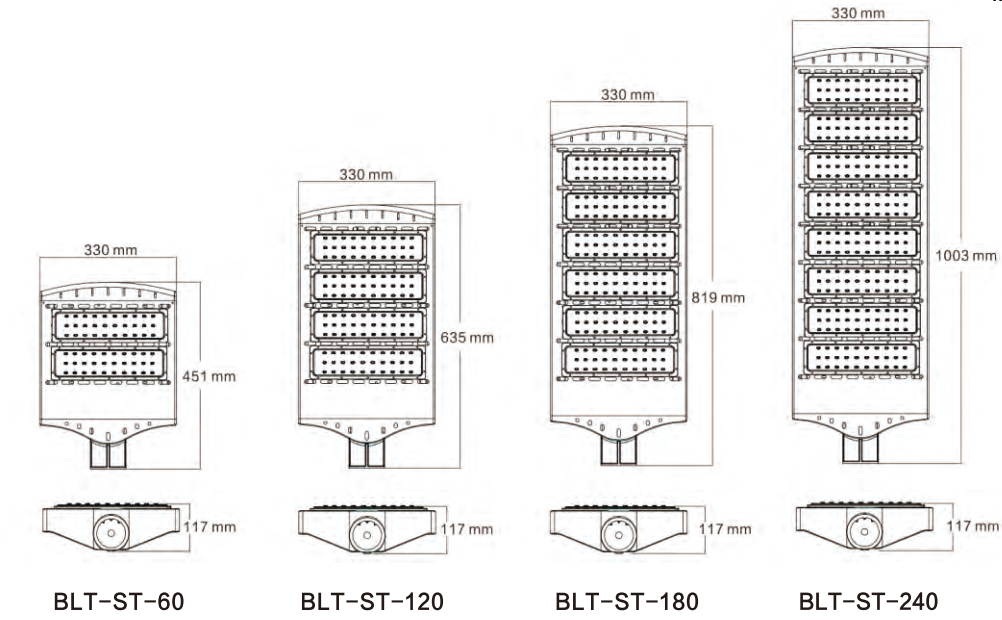


LED Street Light



- ### Features
- Ultra-high efficiency >140lm/w
 - Available for intelligent system control
 - Flexible modular design, easiest installation and maintenance
 - Extremely light weight to enhance, 10KV surge handing capability
 - Original Lumileds led chips, Inventronics driver, 5 years warranty

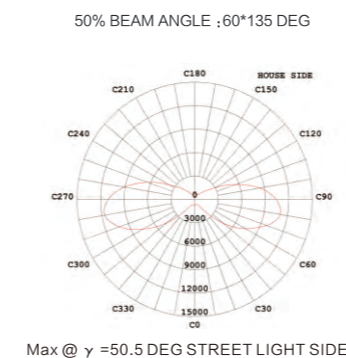
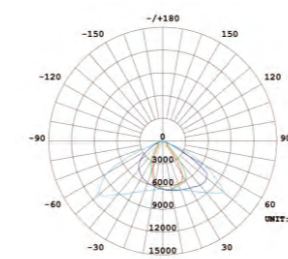
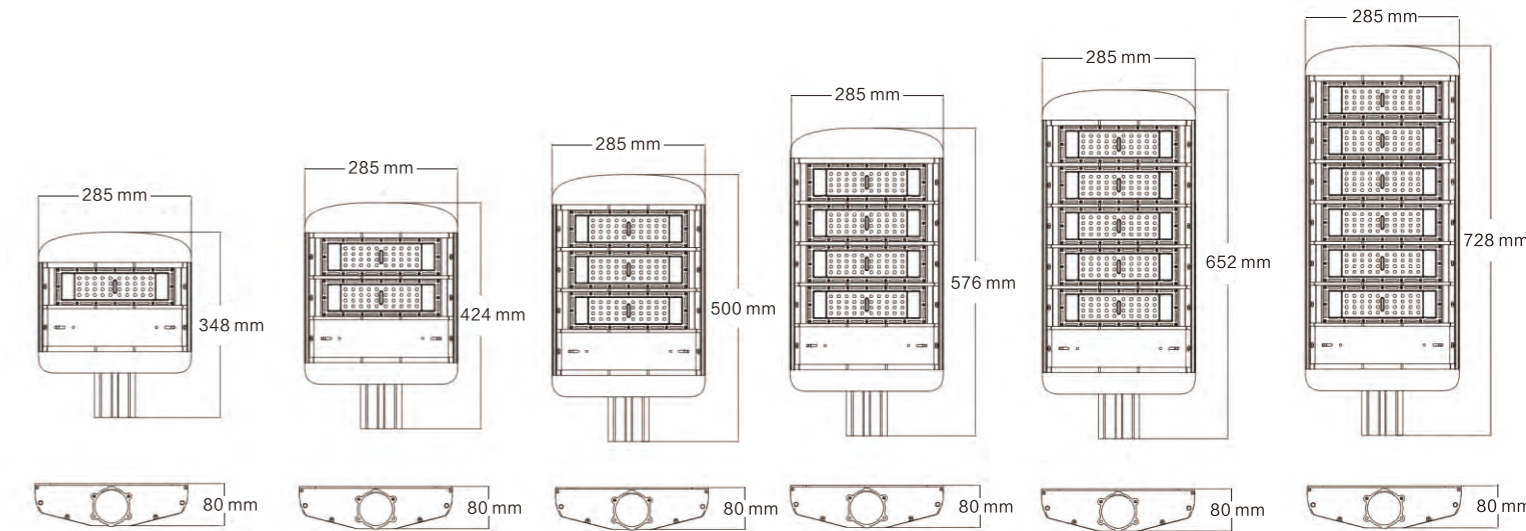


Model	BLT-ST-60	BLT-ST-90	BLT-ST-120	BLT-ST-150	BLT-ST-180	BLT-ST-210	BLT-ST-240
LED Power	60W	90W	120W	150W	180W	210W	240W
LED Source	Lumileds	Lumileds	Lumileds	Lumileds	Lumileds	Lumileds	Lumileds
Input Voltage	AC110-305V,50/60Hz	AC90-305V,50/60Hz	AC90-305V,50/60Hz	AC90-305V,50/60Hz	AC90-305V,50/60Hz	AC90-305V,50/60Hz	AC90-305V,50/60Hz
System Power	66W	100W	132W	165W	195W	230W	260W
Beam Angle	60*135°	60*135°	60*135°	60*135°	60*135°	60*135°	60*135°
LED Qty	112 Pcs	168 Pcs	224 Pcs	280 Pcs	336 Pcs	392 Pcs	448 Pcs
Luminous Flux	8400 LM	12600 LM	16800 LM	21000 LM	25200 LM	29400 LM	33600 LM
CCT	2700K - 6500K	2700K - 6500K	2700K - 6500K	2700K - 6500K	2700K - 6500K	2700K - 6500K	2700K - 6500K
CRI	Ra>70	Ra>70	Ra>70	Ra>70	Ra>70	Ra>70	Ra>70
Operating Temp	-40°C ~ 50 °C	-40°C ~ 50 °C	-40°C ~ 50 °C	-40°C ~ 50 °C	-40°C ~ 50 °C	-40°C ~ 50 °C	-40°C ~ 50 °C
IP Rating	IP 65	IP 65	IP 65	IP 65	IP 65	IP 65	IP 65
Life-span	>50000H	>50000H	>50000H	>50000H	>50000H	>50000H	>50000H
Net weight	4.0KG	4.6KG	5.5KG	6.4KG	7.2KG	8.2KG	9.5KG

LED Street Light

Features

- Ultra-high efficiency >110lm/w
- Available for intelligent system control
- Flexible modular design, easiest installation and maintenance
- Extremely light weight to enhance, 10KV surge handing capability
- Original Lumileds led chips, Inventronics driver, 5 years warranty



Model	BLT-STA-40	BLT-STA-80	BLT-STA-120	BLT-STA-160	BLT-STA-200	BLT-STA-240
LED Power	40W	75W	110W	150W	190W	225W
LED Source	Lumileds	Lumileds	Lumileds	Lumileds	Lumileds	Lumileds
Input Voltage	AC110-305V,50/60Hz	AC90-305V,50/60Hz	AC90-305V,50/60Hz	AC90-305V,50/60Hz	AC90-305V,50/60Hz	AC90-305V,50/60Hz
System Power	42W	80W	120W	160W	200W	240W
Beam Angle	60*135°	60*135°	60*135°	60*135°	60*135°	60*135°
LED Qty	40 Pcs	80 Pcs	120 Pcs	160 Pcs	200 Pcs	240 Pcs
Luminous Flux	4350 LM	8600 LM	12650 LM	17000 LM	21500 LM	25900 LM
CCT	2700K - 6500K	2700K - 6500K	2700K - 6500K	2700K - 6500K	2700K - 6500K	2700K - 6500K
CRI	Ra>70	Ra>70	Ra>70	Ra>70	Ra>70	Ra>70
Operating Temp	-40°C ~ 50 °C	-40°C ~ 50 °C	-40°C ~ 50 °C	-40°C ~ 50 °C	-40°C ~ 50 °C	-40°C ~ 50 °C
IP Rating	IP 65	IP 65	IP 65	IP 65	IP 65	IP 65
Life-span	>50000H	>50000H	>50000H	>50000H	>50000H	>50000H