

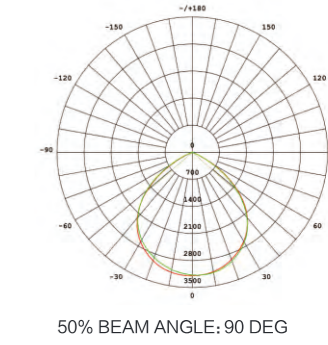
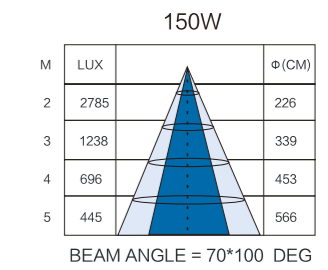
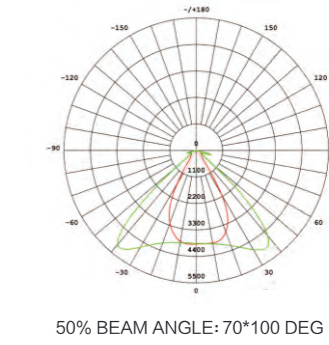
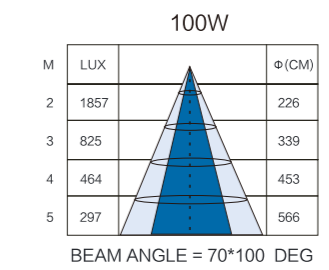
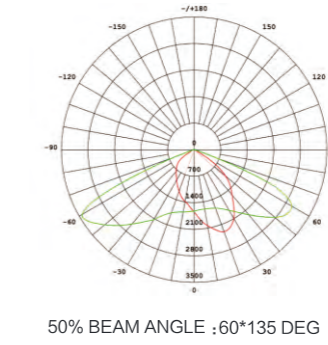
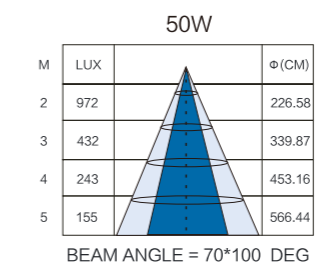


LED Linear Bay Light

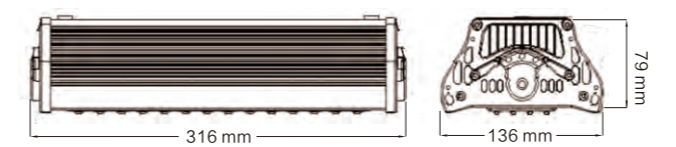


Features

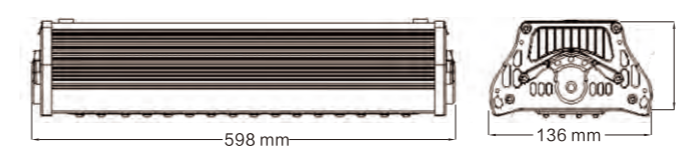
- Multiple Installations(hanging, ceiling, bracket etc.)
- Original Lumileds led chips, Inventronics driver, 5 years warranty
- Multiple optical lens options, suit for different lighting applications
- Linear structure, high quality aluminum AL6063 heatsink
- International operating voltage AC90-305V, PFC power



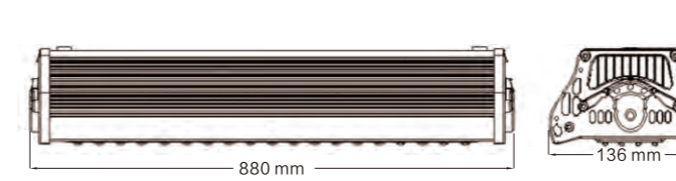
BLT-LB-50



BLT-LB-100



BLT-LB-150



Model	BLT-LB-50	BLT-LB-100	BLT-LB-150
LED Power	50W	100W	150W
LED Source	Lumileds	Lumileds	Lumileds
Input Voltage	AC90-305V,50/60Hz	AC90-305V,50/60Hz	AC90-305V,50/60Hz
System Power	55W	105W	165W
Beam Angle	90° / 60*135° / 70*100°		
LED Qty	56 Pcs	112 Pcs	168 Pcs
Luminous Flux	6000 LM	11500 LM	18000 LM
CCT	2700K - 6500K	2700K - 6500K	2700K - 6500K
CRI	Ra>70	Ra>70	Ra>70
Operating Temp	-40°C ~ 50 °C	-40°C ~ 50 °C	-40°C ~ 50 °C
IP Rating	IP 65	IP 65	IP 65
Life-span	>50000H	>50000H	>50000H
Net weight	2.5KG	4.2KG	5.8KG